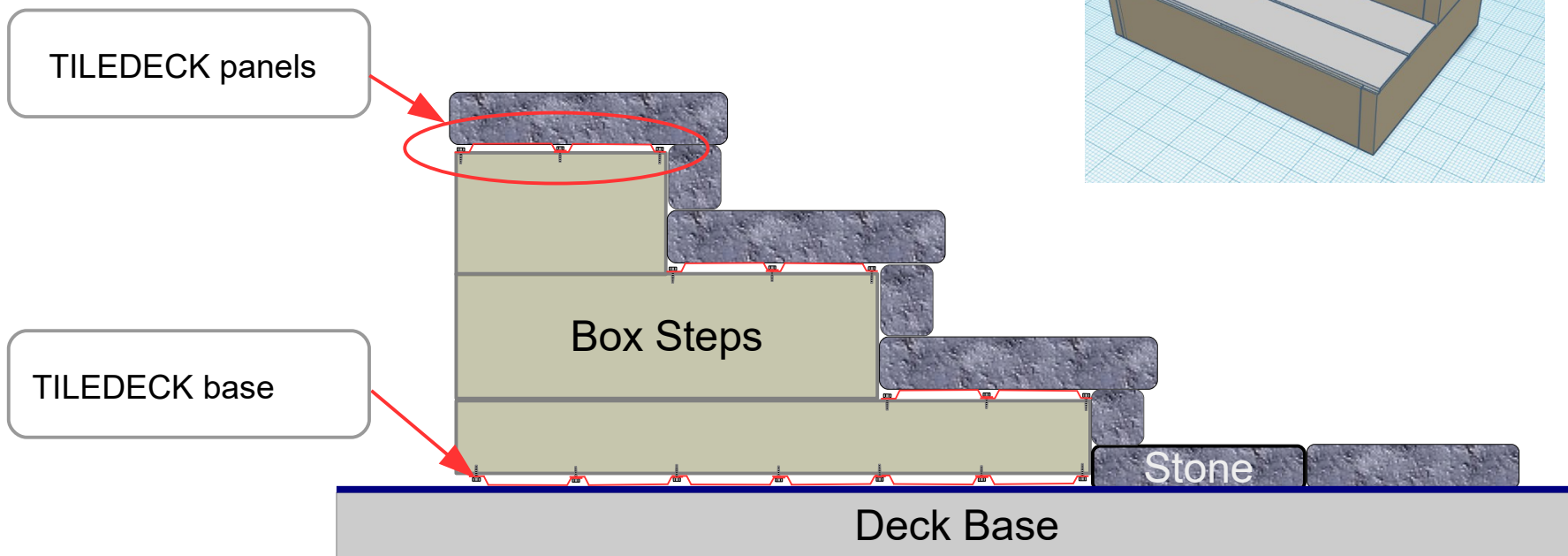
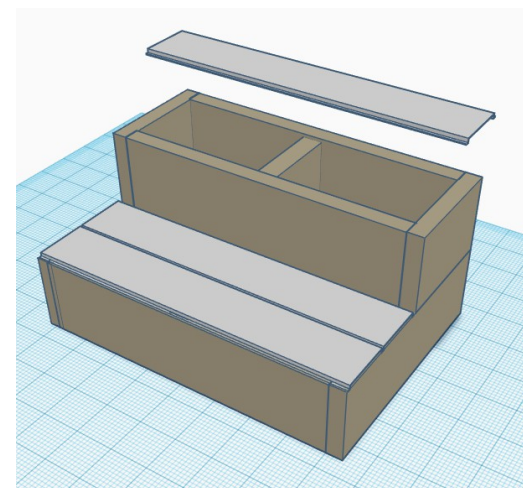


Sample construction of TILEDECK box stairs on any deck platform. Wood boxes are constructed as required to achieve the appropriated riser height and tread width taking into account the height of the TILEDECK panel (0.5") and the height of the stone used. TILEDECK panels must be supported every 16 inches. The boxes are placed on a TILEDECK base to protect against moisture damage. Joist Tape can be used between the wood and the panels.



For discussion purposes only

Sample construction of TILEDECK stairs using wood stair stringers

